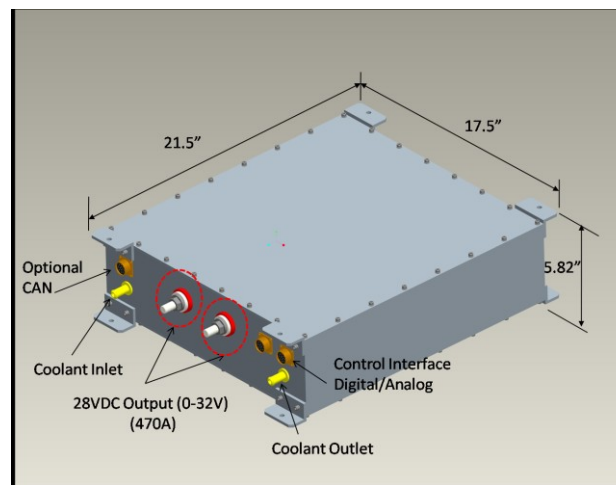


- **DC Input:** 450V to 850V  
36A Max
- **Isolation:** 3KV Input to Output (1 Minute)  
3KV Power Section to Chassis  
3KV Power Section to Control
- **DC Output:** 28VDC (24V-32V Adjustable)  
Voltage/Current Cross Regulation  
0 to 470A Programmable
- **Output Power:** 15KW @ 32Vdc Continuous  
13.2KW @ 28Vdc Continuous  
11.3KW @ 24Vdc Continuous  
120% of Rated Load for 5 Minutes
- **Power Flow:** Unidirectional
- **Efficiency:** Nominal 92%
- **Control Power:** Integrated (derive from DC Input)
- **Regulation:** ±2% Line & Load
- **Transient:** Recover within 1% in less than 2ms for a 50% Step Load
- **Control:** ON/OFF, Reset, Analog Programming
- **Protections:** Over Voltage:Reset to restart  
Over Current/Short Circuit:Continuous  
Over Power: Fold Back  
Over Temperature: Auto Recovery
- **Status:** Analog(0-10V): Input Voltage & Current  
Analog(0-10V): Output Voltage&Current  
Digital Status
- **EMI/EMC:** FCC A Limit, CISPR A Limit
- **Cooling:** Liquid Cooled  
Coolant Temperature:-40°C to 70°C  
Inlet/Outlet Pressure Drop: 12 PSI @1.5 gpm
- **Ambient:** -40°C to 65°C
- **MTBF:** 138KHrs @ 25°C
- **Chassis Rating:** IP65
- **Dimensions:** 21.5" x 17.5"x 5.82"
- **Weight:** 52 lbs (TBC)

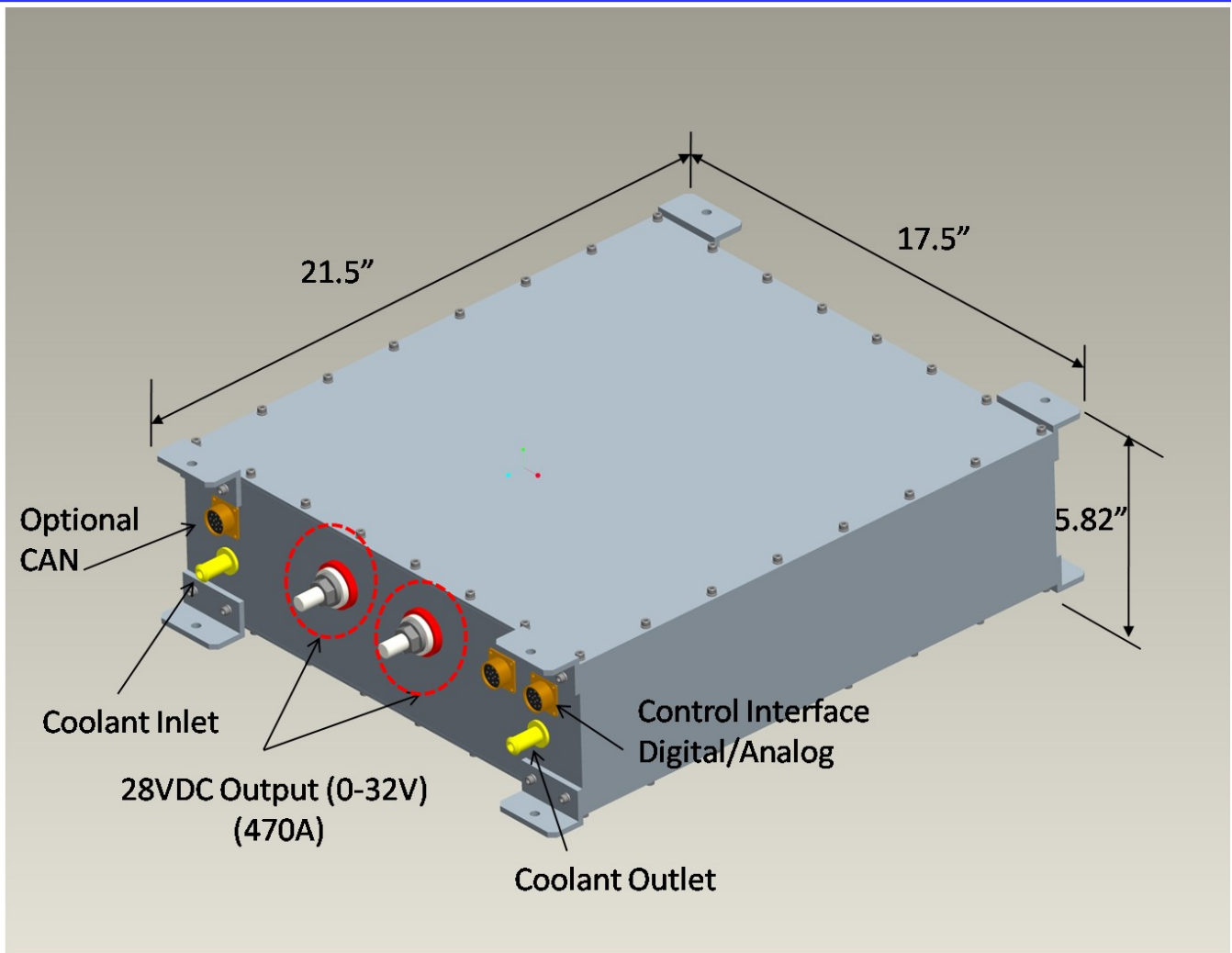


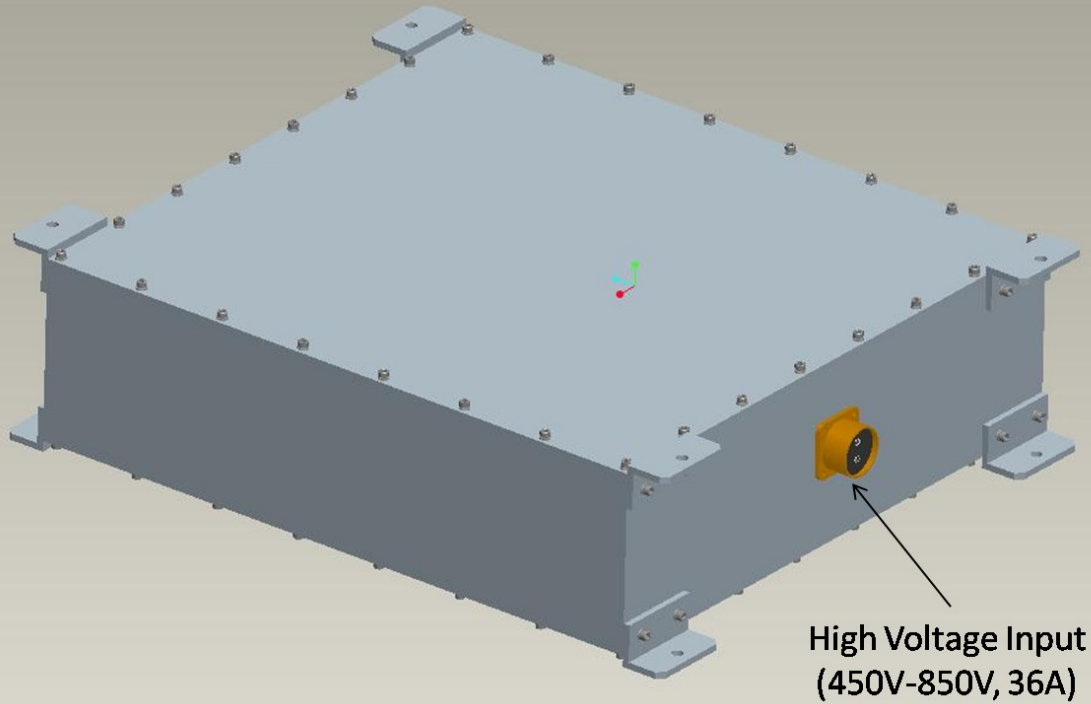
The DC800V28-15KW-UD is an isolated 15KW DC to DC converter that converts nominal 600Vdc (450V to 850V) wide range input DC to 28V Output DC (0 to 32V Adjustable). The 28Vdc output is protected for over load and short circuit by voltage/current cross regulation. The output current limit can be programmable between 0 to 470A for various applications. Nominal power conversion efficiency is 92%.

The DC to DC converter is galvanically isolated between DC input and DC output as well as power section to chassis, power section to control section with 3KVdc 1 minute rating. The continuous working isolation voltage is better than 900V.

The converter is capable of regulating a programmable DC output voltage between 0 and 32Vdc with wide range (450V to 850V) DC input voltage variation. This can provide voltage stabilization for maximum power extraction from a variable DC source. The DC input current is rated at 36A and the DC to DC converter output current is capable of sourcing 470A continuously. Output voltage and current are cross regulated that means the DC to DC converter can be operated either in voltage mode or current mode depend upon voltage and current control reference.

Excellent dynamic transient response enables DC output voltage regulation within 1% in less than 2 ms for a 50% load step change or DC input voltage change or combination of both.





### IMPORTANT NOTICE

Tifomy Technologies Incorporated (Tifomy) disclaims any and all liability for any errors, inaccuracies or incompleteness contained in any datasheet or in any other disclosure relating to any product. Tifomy reserves the right to make corrections, modifications, enhancements, improvements, and other changes to its products at any time and to discontinue any product without notice.

All products are sold with standard warranty subject to Tifomy's terms and conditions of sale supplied at the time of order acknowledgment.

Unless expressly authorized in writing by the President of Tifomy Technologies, Inc, Products are not designed, intended or authorized for use as critical components in life support or safety devices or systems, or for any other application in which the failure of the Products could create a situation where personal injury or death may occur.